

7-103 Quarter-Turn with L-Handle Pr20.1 L18

Hand operable with or without key, IP65, Stainless Steel, Optional pre-assembly

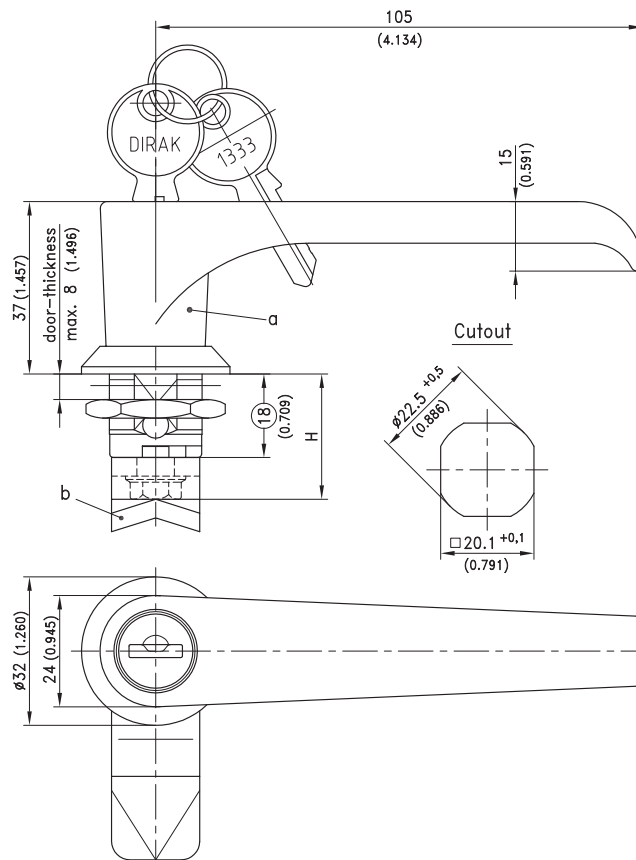


Product Notes:

- RH and LH application
- Water and dust tight according to IP65, DIN EN 60529
- Quarter-Turn consists of two components which are combined to fit application
- Components can be pre-assembled by DIRAK upon request
- Pre-assembled Quarter-Turn can be installed in cutout

Material:

- **L-handle:** Stainless Steel AISI 316, Surface Polished
- **Nut and cam:** Stainless Steel



a) Quarter-turn with L-handle with nut	Part No.	See Page
non locking	200-9418*	
keyed alike 1333	200-9485*	
keyed different	200-9486*	
b) Cams		
		01.24, 01.101, 01.102, 03.42
Please order separately:		
c) Assembling of cam	200-0001	
Assembling cam 90° to handle without O-ring	200-0019	
Assembling cam for left door	200-0020	
All lockable handles supplied with two keys.		
* Price and delivery time on request		